

Simon

The Simon Topframe overframe ventilator has been designed to appear as an integral part of your window. Extruded from window grade PVCu the Topframe is suitable for new build and refurbishment markets.

Topframe

Specification

- Topframe ventilators are manufactured from window grade PVCu
- Neat design which makes the ventilator seem part of the window
- Suitable for new build and refurbishment markets
- Ventilators comply to BS EN 1027:2000 and achieve the current building regulations BS EN 1026:2000
- Available with knob or cord control options
- Situated above the window frame, it is quick and easy to install
- Ideal for all types of windows
- Head extension available for deep plaster reveals
- Independently acoustically tested in accordance with BSEN20140-10:1992, ISO 140-10:1991
- Tested to BS 13141-1:2004 achieves 5,298mm² equivalent area



Simon

**Air Management
Systems**

R.W. Simon Limited System Works, Hatchmoor Industrial Estate,
Torrington, Devon EX38 7HP United Kingdom
Tel: 01805 623721 Fax: 01805 624578 E-mail: info@rwsimon.co.uk

Web: www.rwsimon.co.uk

Topframe

British Standards

Exceeds requirements of BS6375 Part 1
The Topframe can be adapted to achieve BS5440

| Top Frame | | |
|--------------------------|------------------------|------------------------------------|
| Pressure Difference (PA) | Volume (litres/second) | Equivalent Area (mm ²) |
| 1 | 4.16 | 5298 |
| 2 | 5.89 | 5300 |
| 4 | 8.09 | 5147 |
| 8 | 11.15 | 5018 |
| 10 | 12.49 | 5026 |
| 20 | 18.54 | 5274 |

Surveying

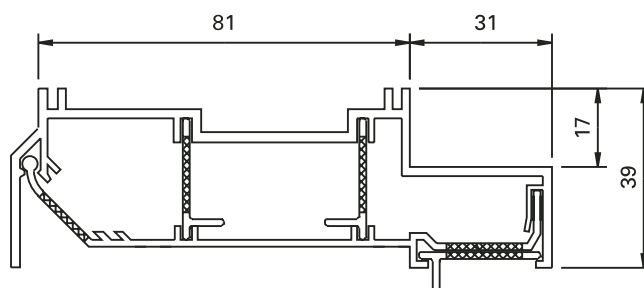
Height reductions must be allowed for as follows

For New Build & Refurbishment deduct 35mm

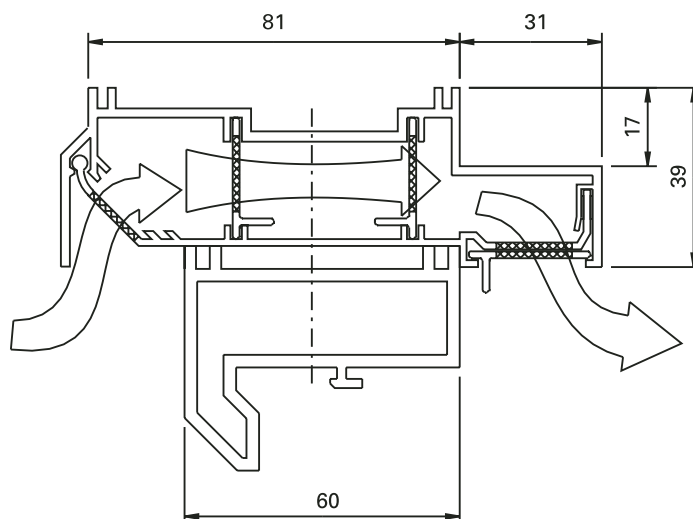
Building Regulations

Approved Document F1* 1995 Means of Ventilation requires that ventilation opening(s) should be reasonably secure, adjustable and located (typically 1.75m above the floor level) so as to avoid discomfort due to colds, draughts and to prevent rain ingress.

Topframe Not to scale



Topframe Overframe fixing detail



Simon
Air Management
Systems

Airflow rates quoted are for when the units are fitted in accordance with manufacturers recommendations. Tested in accordance with BS EN 13141-1:2004